



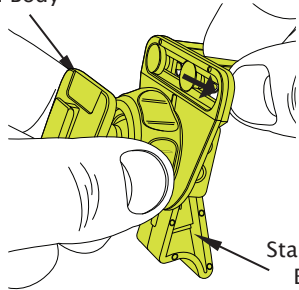
PHV-200-BL

IMPORTANT NOTE

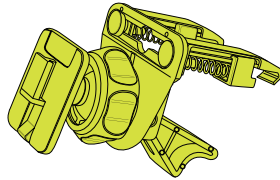
PLEASE READ INSTRUCTIONS COMPLETELY BEFORE INSTALLING THIS MOUNT KIT

ASSEMBLY (if necessary)

Main Body

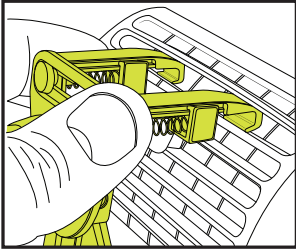


Stabilizer Bar

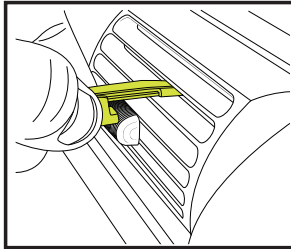


Insert the round end of the spring vent clip into the hole in the middle of the horizontal gap in the Main Body. Slide the Spring Vent Clip to one side and repeat with the other Clip on the other side. Insert the Stabilizer bar into either of the 2 hole sets on the back of the Main Body. (The size of your air vents will determine which set to use.)

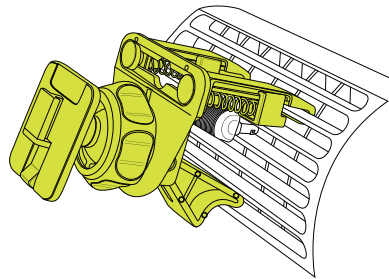
VENT MOUNT INSTALLATION



OPTION 1 Vent Mount install: Align the front of each spring clip on the edge of the louver. Push the vent mount into the vent at an upward angle until the front hooks of the spring clips clears the rear edge of the louver. Lower the hooked ends over the rear edge of the louver and allow the springs clips to tighten – attaching itself to the vent. Rest the stabilizer bar on the lip of the dash to prevent the vent from sagging.



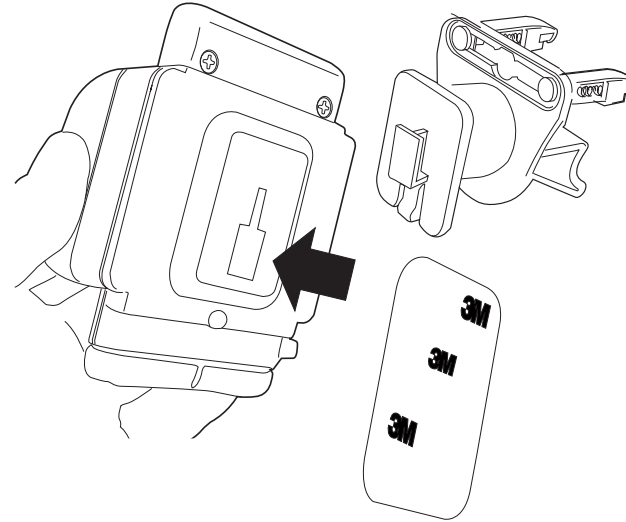
OPTION 2 Vent mount install: Pull back on the spring slide to fully retract the spring on the Spring Vent Clip. Insert the Spring Vent Clip into the vent and hook it around the back side of the louver. Release the slide to secure to the louver. Repeat with the second vent clip and then attach the main body as shown in ASSEMBLY. Rest the stabilizer bar on the lip of the dash to prevent the vent from sagging.



Note: If you need to remove the spring vent clips, continue to the next page for spring vent clip removal instructions.

IMPORTANT!
DO NOT RETURN PRODUCT TO THE RETAILER
IF YOU NEED ASSISTANCE OR REPLACEMENT PARTS
CALL US TOLL FREE: 1-866-237-4443
HOURS MON-FRI 9AM-5PM(CT)

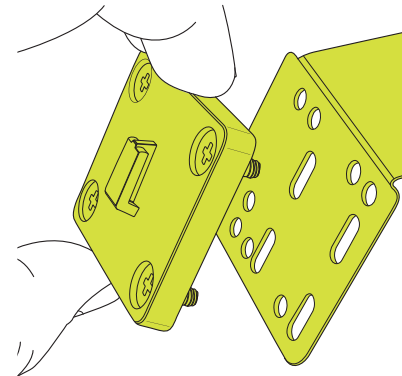
MOUNTING Grip-It



OPTION 1: VENT MOUNT
Slide the T-notch from the Vent Mount into the hole in the back of the Grip-It. Slide the Grip-It down securing Vent Mount to the Grip-It

OPTION 2: ADHESIVE MOUNT
Find the flattest spot on your dash and clean it with the supplied Alcohol Prep Pad and let dry. Remove one side of the adhesive backing and apply the adhesive pad to the back of the Grip-It holder over the T-notch hole. Remove the remaining backing from the adhesive and press the Grip-It firmly to the cleaned area of the dash.

Note: The adhesive works best with all surfaces at room temperature. You may yield better results warming the mounting surface and the adhesive with a blow dryer.



OPTION 3: T-NOTCH PLATE
Attach the T-Notch Plate to the Custom Vehicle Mount (sold separately) or Multi-Vehicle Mount (sold separately) with the supplied hardware. Insert the T-Notch from the T-Notch plate into the back of the Grip-It holder. Slide the Grip-It holder down securing the T-Notch fastener.

Visit <http://www.bracketron.com> for available Custom Vehicle and Multi-Vehicle Mounts.

PAGE 1 of 2

LIMITED WARRANTY

Limitation on Warranty and Claims. SELLER WARRANTS THAT THE GOODS SOLD AND DELIVERED BY THE SELLER TO THE BUYER SHALL BE FREE FROM DEFECTS IN WORKMANSHIP AND MATERIAL UNDER NORMAL USE AND SERVICE FOR A PERIOD OF ONE (1) YEAR FROM THE DATE OF DELIVERY. THIS WARRANTY IS EXPRESSLY IN LIEU OF ALL OTHER WARRANTIES, EXPRESS OR IMPLIED, WHETHER STATUTORY OR OTHERWISE, INCLUDING ANY IMPLIED WARRANTY OF MERCHANTABILITY OR FITNESS FOR A PARTICULAR PURPOSE. Seller's liability for breach of warranty shall arise only upon the return of the defective parts at the buyer's expense after notice to the seller of claimed breach and shall be limited to furnishing a like quantity of such goods free from such defects or, at the seller's option to refund the purchase price. Notice to the seller of claimed defects discoverable by inspection must be given within ten (10) days after receipt of shipment. In no event shall the seller be liable to the buyer for indirect, incidental, collateral or consequential damages of any kind. The buyer indemnifies the seller, its successors and assigns from and against any and all losses, damages and expenses (including reasonable attorney's fees) which the seller may sustain or incur as a result of any claim of negligence, breach of warranty or strict liability in tort in connection with the use of the goods furnished hereunder, except such as may be wholly caused by the negligence of the seller.

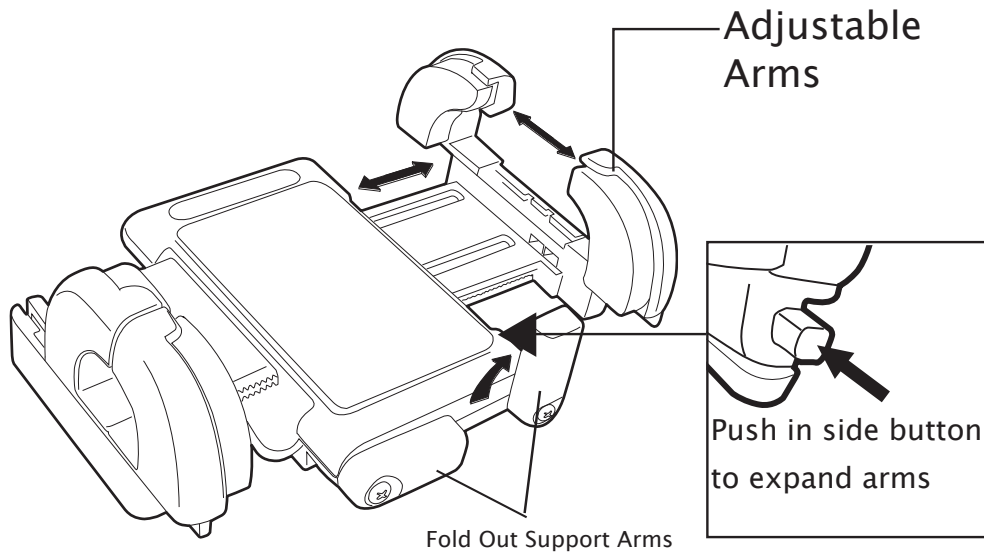


PHV-200-BL

IMPORTANT NOTE

PLEASE READ INSTRUCTIONS COMPLETELY BEFORE INSTALLING THIS MOUNT KIT

Grip-It ADJUSTMENT

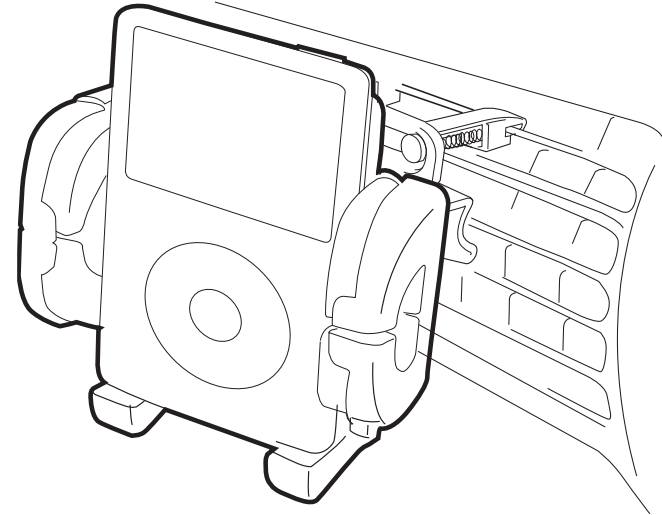


Expand the Grip-It arms using the side button. Insert your device and squeeze the arms back in to secure the device.

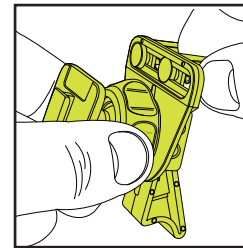
IMPORTANT!

DO NOT RETURN PRODUCT TO THE RETAILER
IF YOU NEED ASSISTANCE OR REPLACEMENT PARTS
CALL US TOLL FREE: 1-866-237-4443
HOURS MON-FRI 9AM-5PM(CT)

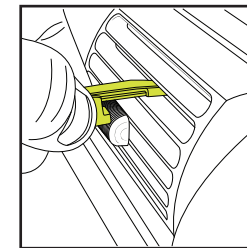
OVERVIEW



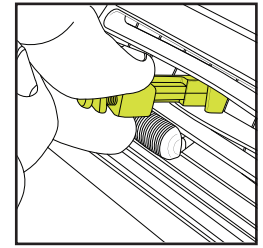
VENT CLIP REMOVAL



Remove the body of the vent clip by sliding the spring vent clip to the center of the body and pulling it through.



Pull back on the spring slide clip compressing it completely,



Push the entire clip in slightly so the hook clears the louver. Twist the clip 90 degrees and pull away from vent to remove.

Visit <http://bracketron.com/replacement-springclips.php> for broken or missing spring clips

LIMITED WARRANTY

Limitation on Warranty and Claims. SELLER WARRANTS THAT THE GOODS SOLD AND DELIVERED BY THE SELLER TO THE BUYER SHALL BE FREE FROM DEFECTS IN WORKMANSHIP AND MATERIAL UNDER NORMAL USE AND SERVICE FOR A PERIOD OF ONE (1) YEAR FROM THE DATE OF DELIVERY. THIS WARRANTY IS EXPRESSLY IN LIEU OF ALL OTHER WARRANTIES, EXPRESS OR IMPLIED, WHETHER STATUTORY OR OTHERWISE, INCLUDING ANY IMPLIED WARRANTY OF MERCHANTABILITY OR FITNESS FOR A PARTICULAR PURPOSE. Seller's liability for breach of warranty shall arise only upon the return of the defective parts at the buyer's expense after notice to the seller of claimed breach and shall be limited to furnishing a like quantity of such goods free from such defects or, at the seller's option to refund the purchase price. Notice to the seller of claimed defects discoverable by inspection must be given within ten (10) days after receipt of shipment. In no event shall the seller be liable to the buyer for indirect, incidental, collateral or consequential damages of any kind. The buyer indemnifies the seller, its successors and assigns from and against any and all losses, damages and expenses (including reasonable attorney's fees) which the seller may sustain or incur as a result of any claim of negligence, breach of warranty or strict liability in tort in connection with the use of the goods furnished hereunder, except such as may be wholly caused by the negligence of the seller.